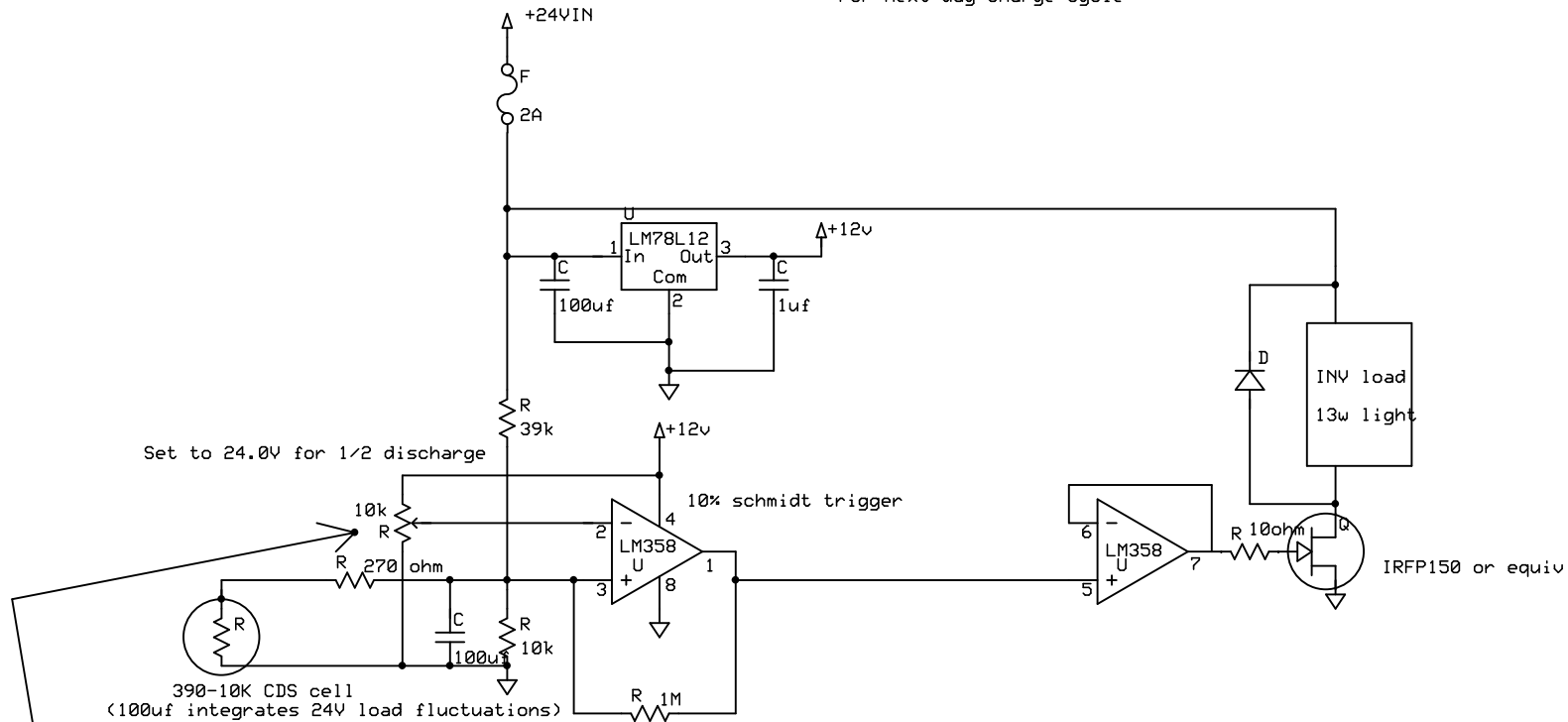


Operates Outside Light when Dark and shuts off when battery goes from 100% down to 90% state of charge (adjustable)
 For next day charge cycle



Set to 24.0V for 1/2 discharge

390-10K CDS cell
 (100uF integrates 24V load fluctuations)

dark = 390k, light = 10k

- 100% = 2.125Vpc = 25.5V .48V differential
- 75% = 2.085Vpc = 25.02V .48V differential
- 50% = 2.085Vpc = 24.54V .48V differential
- 25% = 2.005Vpc = 24.06V .48V differential
- 0% = 1.965Vpc = 23.58V

For 4A x 5hr Sun = 20ah = 10% to discharge = 25.3V = 90% charged or 22ah down

Set to 25.15V initially for V drop and 10% hysteresis compensation (turns on at 100% 25.5V)

Company Name		
photodischarge		
mark E. Hanson	Rev 1.0	Page # or name
	7/30/2008	