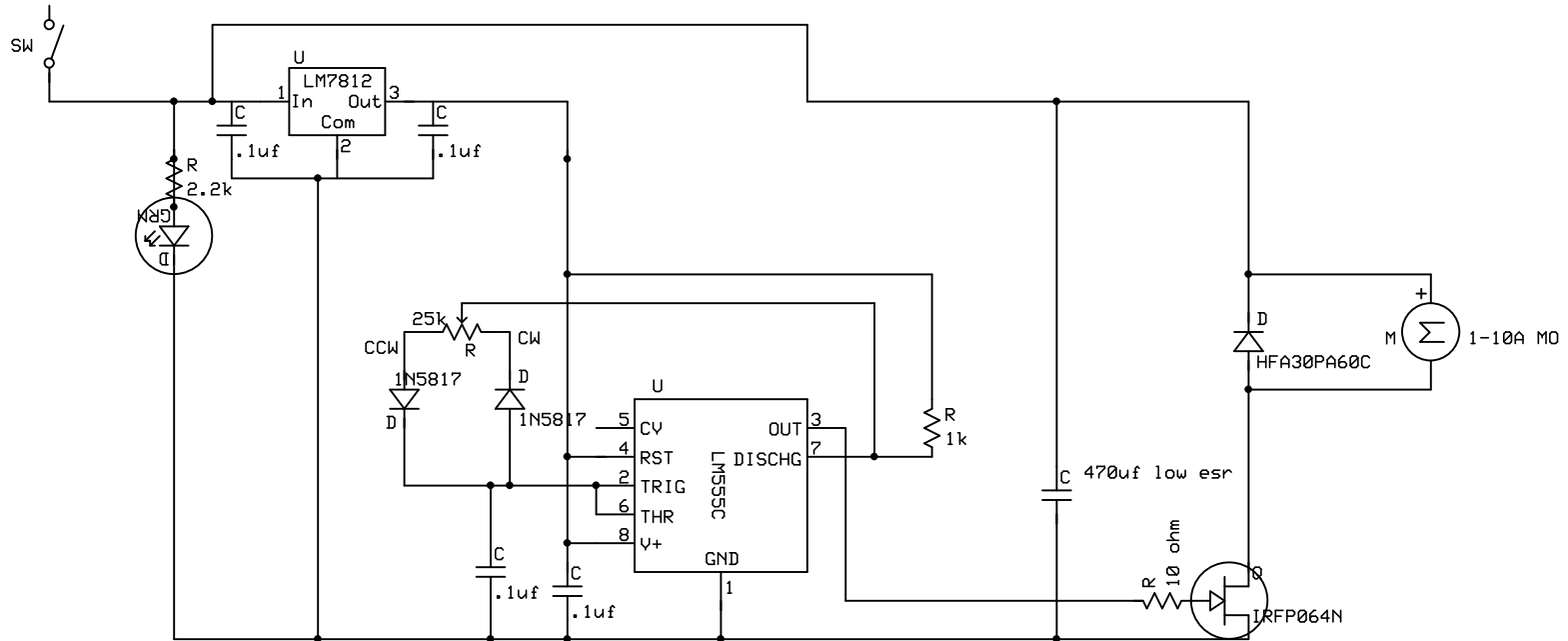


+24-12V IN



Company Name		
PWM Control		
Mark E. Hanson	Rev 1.0	Page # or name
	2/11/2008	