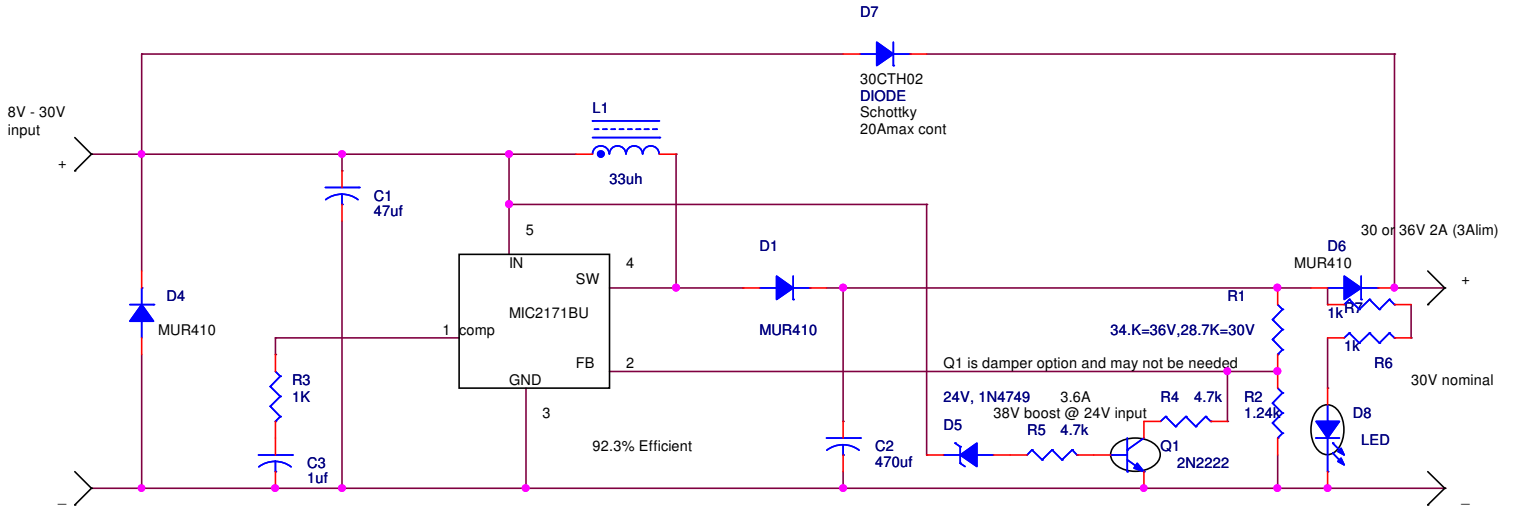


BOOST CONVERTER REGULATOR



- Board 20.00  
 Ship In Parts, Ship Out 20.00  
 1590EFL (HM582-ND) \$23.22  
 TE2000-ND 47uH 1.13  
 MIC2171BU Mouser 3.56  
 1N4749ADICT-ND .36  
 MUR410RLOST(R)-ND .42 x 3 = 1.26  
 30CTH02-ND (or03) 1.68  
 heatsinks 294-1042-ND .63 x 2 = 1.26  
 Led Lens L30002-ND .38  
 standoffs 3487K-ND .27 x 2 = .55  
 2 Grommets RP450-ND .25 x 2 = .50  
 Green Led P375-ND .22  
 5 resistors .25  
 47uF 50V P10321-ND .28  
 1uF, 50V P10312-ND .27  
 470uF, 50V P10328-ND 1.08  
 Laminated Label 1.00  
 wire 1.00  
 77.00 parts  
 ret 139.95
- or enclosure 1590EFLBK 10.50 Allied by Hammond  
 or Miller M9770-ND 33uH 2.13
- Damper Option  
 2 resistors .10  
 1N4749ADICT-ND .36  
 2N2222 .50  
 .96 tot option
- 92.3% Efficient  
 Q1 is damper option and may not be needed  
 24V, 1N4749 3.6A  
 38V boost @ 24V input  
 R5 4.7k  
 R4 4.7k  
 R2 1.24k  
 R1 34.7k=36V, 28.7k=30V

Title		Boost Converter Reg		Mark E. Hanson 5/10/04	
Size	A	Document Number	<Doc>	Rev	<RevCod
Date:	Thursday, October 23, 2008	Sheet	1	of	1